

Freezer
морозильник

Please read this manual first! <http://rembitteh.ru/>

Dear Customer,

We hope that your product, which has been produced in modern plants and checked under the most meticulous quality control procedures, will provide you an effective service.

For this, we recommend you to carefully read the entire manual of your product before using it and keep it at hand for future references.

This manual

- Will help you use your appliance in a fast and safe way.
- Read the manual before installing and operating your product.
- Follow the instructions, especially those for safety.
- Keep the manual in an easily accessible place as you may need it later.
- Besides, read also the other documents provided with your product.

Please note that this manual may be valid for other models as well.

Symbols and their descriptions

This instruction manual contains the following symbols:

- ❗ Important information or useful usage tips.
- ⚠ Warning against dangerous conditions for life and property.
- ⚡ Warning against electric voltage.



This product is supplied with the selective sorting symbol for waste electrical and electronic equipment (WEEE).

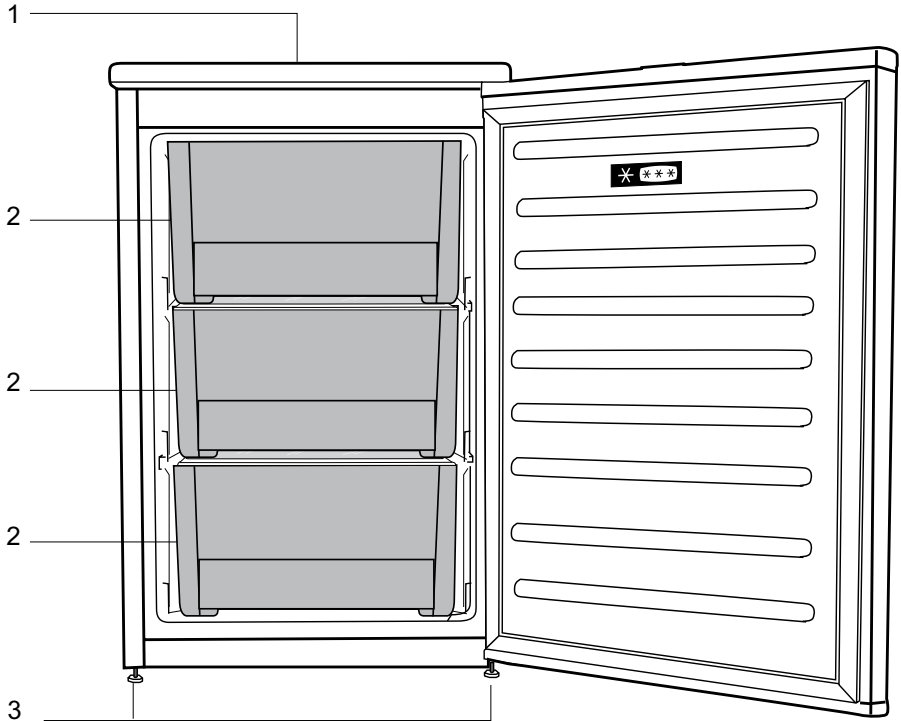
This means that this product must be handled pursuant to European Directive 2002/96/EC in order to be recycled or dismantled to minimise its impact on the environment. For further information, please contact your local or regional authorities.

Electronic products not included in the selective sorting process are potentially dangerous for the environment and human health due to the presence of hazardous substances.



1 Your Freezer	3	4 Preparation	12
2 Important Safety Warnings	4	5 Using your freezer	13
Intended use	4	Temperature setting button.....	13
For products with a water dispenser; ..	6	Storing the frozen food	13
Child safety.....	6	Defrosting of the appliance	14
HCA Warning	6	Setting the operating temperature ...	15
Things to be done for energy saving ..	7	6 Maintenance and cleaning	16
Technical specifications of your freezer	7	Protection of plastic surfaces	16
3 Installation	8	7 Recommended solutions for the problems	17
Points to be considered when re-transporting your freezer	8		
Before operating your freezer.....	8		
Disposing of the packaging	9		
Disposing of your old freezer	9		
Placing and Installation	9		
Adjusting the feet.....	10		
Reversing the doors	11		

1 Your Freezer



1. Top trim
2. Frozen-food compartments .
 - a. Big drawers
 - b. Bottom drawer
 - c. Glass shelves under the Big Drawers
3. Adjustable front feet

i Figures that take place in this instruction manual are schematic and may not correspond exactly with your product. If the subject parts are not included in the product you have purchased, then it is valid for other models.

2 Important Safety Warnings

Please review the following information. Failure to observe this information may cause injuries or material damage. Otherwise, all warranty and reliability commitments will become invalid.

The usage life of the unit you purchased is 10 years. This is the period for keeping the spare parts required for the unit to operate as described.

Intended use

This product is intended to be used

- indoors and in closed areas such as homes;
- in closed working environments such as stores and offices;
- in closed accommodation areas such as farm houses, hotels, pensions.
 - This product should not be used outdoors.

General safety

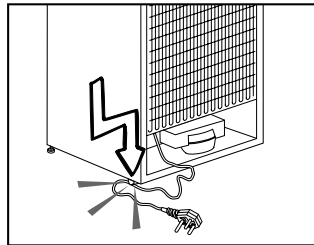
- When you want to dispose/scrap the product, we recommend you to consult the authorized service in order to learn the required information and authorized bodies.
- Consult your authorized service for all your questions and problems related to the freezer. Do not intervene or let someone intervene to the freezer without notifying the authorised services.
- For products with a freezer compartment; Do not eat cone ice cream and ice cubes immediately after you take them out of the freezer compartment! (This may cause frostbite in your mouth.)

- For products with a freezer compartment; Do not put bottled and canned liquid beverages in the freezer compartment. Otherwise, these may burst.
- Do not touch frozen food by hand; they may stick to your hand.
- Unplug your freezer before cleaning or defrosting.
- Vapor and vaporized cleaning materials should never be used in cleaning and defrosting processes of your freezer. In such cases, the vapor may get in contact with the electrical parts and cause short circuit or electric shock.
- Never use the parts on your freezer such as the door as a means of support or step.
- Do not use electrical devices inside the freezer.
- Do not damage the parts, where the refrigerant is circulating, with drilling or cutting tools. The refrigerant that might blow out when the gas channels of the evaporator, pipe extensions or surface coatings are punctured causes skin irritations and eye injuries.
- Do not cover or block the ventilation holes on your freezer with any material.
- Electrical devices must be repaired by only authorised persons. Repairs performed by incompetent persons create a risk for the user.
- In case of any failure or during a maintenance or repair work, disconnect your freezer's mains

Ремонт холодильников<http://rembitteh.ru/>

supply by either turning off the relevant fuse or unplugging your appliance.

- Do not pull by the cable when pulling off the plug.
- Place the beverage with higher proofs tightly closed and vertically.
- Never store spray cans containing flammable and explosive substances in the freezer.
- Do not use mechanical devices or other means to accelerate the defrosting process, other than those recommended by the manufacturer.
- This product is not intended to be used by persons with physical, sensory or mental disorders or unlearned or inexperienced people (including children) unless they are attended by a person who will be responsible for their safety or who will instruct them accordingly for use of the product
- Do not operate a damaged freezer. Consult with the service agent if you have any concerns.
- Electrical safety of your freezer shall be guaranteed only if the earth system in your house complies with standards.
- Exposing the product to rain, snow, sun and wind is dangerous with respect to electrical safety.
- Contact authorized service when there is a power cable damage to avoid danger.
- Never plug the freezer into the wall outlet during installation. Otherwise, risk of death or serious injury may arise.
- This freezer is intended for only storing food items. It must not be used for any other purpose.
- Label of technical specifications is located on the left wall inside the freezer.
- Never connect your freezer to electricity-saving systems; they may damage the freezer.
- If there is a blue light on the freezer, do not look at the blue light with optical tools.
- For manually controlled freezers, wait for at least 5 minutes to start the freezer after power failure.
- This operation manual should be handed in to the new owner of the product when it is given to others.
- Avoid causing damage on power cable when transporting the freezer. Bending cable may cause fire. Never place heavy objects on power cable. Do not touch the plug with wet hands when plugging the product.



- Do not plug the freezer if the wall outlet is loose.
- Water should not be sprayed directly on inner or outer parts of the product for safety purposes.
- Do not spray substances containing inflammable gases such as propane gas near the freezer to avoid fire and explosion risk.

- Never place containers filled with water on top of the freezer, otherwise this may cause electric shock or fire.
- Do not overload your freezer with excessive amounts of food. If overloaded, the food items may fall down and hurt you and damage freezer when you open the door. Never place objects on top of the freezer; otherwise, these objects may fall down when you open or close the freezer's door.
- As they require a precise temperature, vaccines, heat-sensitive medicine and scientific materials and etc. should not be kept in the freezer.
- If not to be used for a long time, freezer should be unplugged. A possible problem in power cable may cause fire.
- The plug's tip should be regularly cleaned; otherwise, it may cause fire.
- The plug's tip should be cleaned regularly with a dry cloth; otherwise, it may cause fire.
- Freezer may move if adjustable legs are not properly secured on the floor. Properly securing adjustable legs on the floor can prevent the freezer to move.
- When carrying the freezer, do not hold it from door handle. Otherwise, it may be snapped.
- When you have to place your product next to another freezer or freezer, the distance between devices should be at least 8cm. Otherwise, adjacent side walls may be humidified.

For products with a water dispenser;

Pressure of water mains should be minimum 1 bar. Pressure of water mains should be maximum 8 bars.

- Use only potable water.

Child safety

- If the door has a lock, the key should be kept away from reach of children.
- Children must be supervised to prevent them from tampering with the product.

HCA Warning

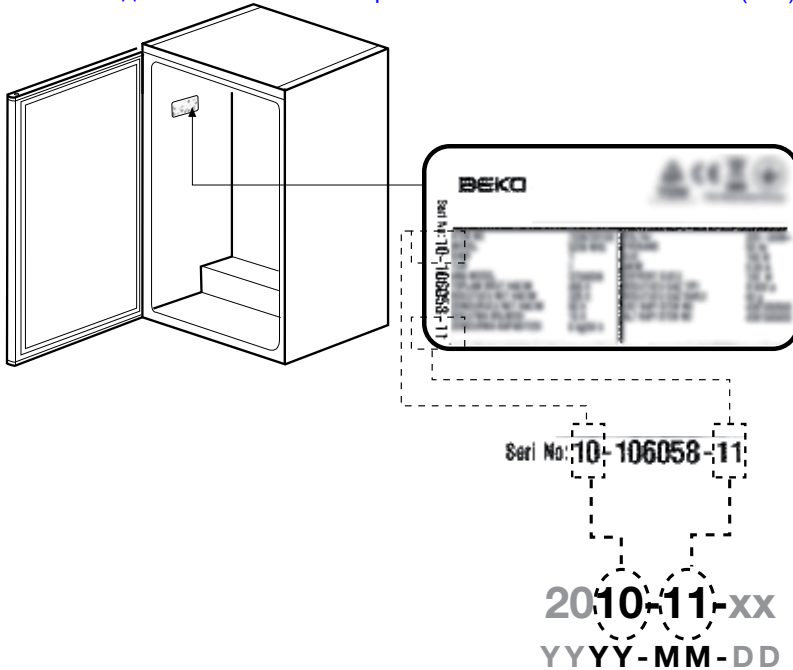
If your product's cooling system contains R600a:

This gas is flammable. Therefore, pay attention to not damaging the cooling system and piping during usage and transportation. In the event of damage, keep your product away from potential fire sources that can cause the product catch a fire and ventilate the room in which the unit is placed.

Ignore this warning if your product's cooling system contains R134a.

Type of gas used in the product is stated in the type plate which is on the left wall inside the freezer.

Never throw the product in fire for disposal.



Things to be done for energy saving

- Do not leave the doors of your freezer open for a long time.
- Do not put hot food or drinks in your freezer.
- Do not overload your freezer so that the air circulation inside of it is not prevented.
- Do not install your freezer under direct sunlight or near heat emitting appliances such as ovens, dishwashers or radiators.
- Pay attention to keep your food in closed containers.
- For products with a freezer compartment; You can store maximum amount of food items in the freezer when you remove the shelf or drawer of the freezer. Energy consumption value stated for your freezer has been determined by removing freezer shelf or drawer and under maximum load. There is no harm to use a shelf or drawer according to the shapes and size of food to be frozen.
- Thawing frozen food in fridge compartment will both provide energy saving and preserve the food quality.

Technical specifications of your freezer

Energy efficiency class	A+
Protection class	1

3 Installation

⚠ Please remember that the manufacturer shall not be held liable if the information given in the instruction manual is not observed.

Points to be considered when re-transporting your freezer

1. Your freezer must be emptied and cleaned prior to any transportation.
2. Shelves, accessories, crisper and etc. in your freezer must be fastened securely by adhesive tape against any jolt before repackaging.
3. Packaging must be tied with thick tapes and strong ropes and the rules of transportation printed on the package must be followed.

Please do not forget...

Every recycled material is an indispensable source for the nature and for our national resources.

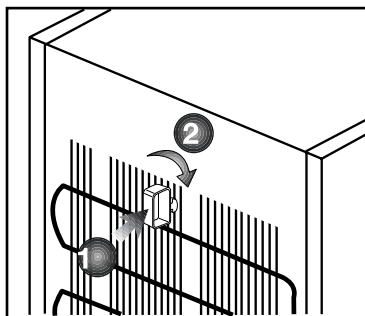
If you wish to contribute to recycling the packaging materials, you can get further information from the environmental bodies or local authorities.

Before operating your freezer

Before starting to use your freezer check the following:

1. Is the interior of the freezer dry and can the air circulate freely in the rear of it?

2. You can install the 2 plastic wedges as illustrated in the figure. Plastic wedges will provide the required distance between your freezer and the wall in order to allow the air circulation. (The illustrated figure is only an example and does not match exactly with your product.)



3. Clean the interior of the freezer as recommended in the "Maintenance and cleaning" section.
4. Plug the freezer into the wall outlet. When the fridge door is open the fridge compartment interior light will come on.
5. You will hear a noise as the compressor starts up. The liquid and gases sealed within the refrigeration system may also give rise to noise, even if the compressor is not running and this is quite normal.
6. Front edges of the freezer may feel warm. This is normal. These areas are designed to be warm to avoid condensation.

Electric connection

Connect your product to a grounded socket which is being protected by a fuse with the appropriate capacity.

Important:

- The connection must be in compliance with national regulations.
- The power cable plug must be easily accessible after installation.
- The specified voltage must be equal to your mains voltage.
- Extension cables and multiway plugs must not be used for connection.

⚠ A damaged power cable must be replaced by a qualified electrician.

⚠ Product must not be operated before it is repaired! There is danger of electric shock!

Disposing of the packaging

The packing materials may be dangerous for children. Keep the packing materials out of the reach of children or dispose them of by classifying them in accordance with the waste instructions. Do not dispose them of along with the normal household waste.

The packing of your freezer is produced from recyclable materials.

Disposing of your old freezer

Dispose of your old machine without giving any harm to the environment.

- You may consult your authorized dealer or waste collection center of your municipality about the disposal of your freezer.

Before disposing of your freezer, cut out the electric plug and, if there are any locks on the door, make them inoperable in order to protect children against any danger.

Placing and Installation

1. Install your freezer to a place that allows ease of use.

2. Keep your freezer away from heat sources, humid places and direct sunlight.

3. There must be appropriate air ventilation around your freezer in order to achieve an efficient operation.

If the freezer is to be placed in a recess in the wall, there must be at least 5 cm distance with the ceiling and at least 5 cm with the wall.

If the floor is covered with a carpet, your product must be elevated 2.5 cm from the floor.

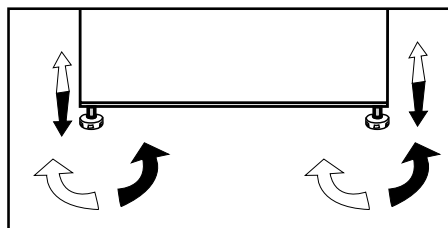
4. Place your freezer on an even floor surface to prevent jolts.

5. Do not keep your freezer in ambient temperatures under 10°C.

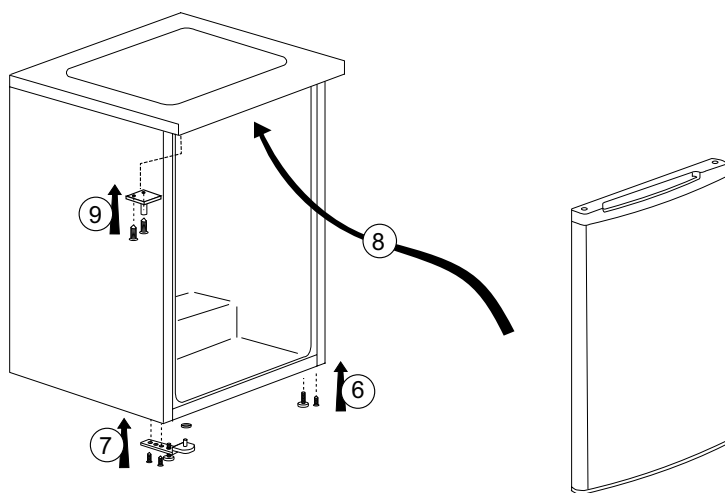
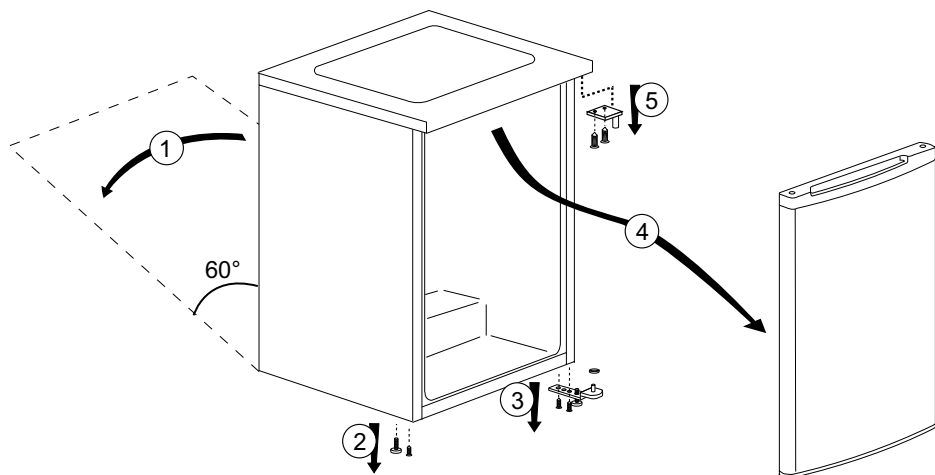
Adjusting the feet

If your refrigerator is unbalanced;

You can balance your refrigerator by turning the front legs as shown in the illustration below. The corner where the leg exists is lowered when you turn it in the direction of black arrow and raised when you turn in the opposite direction. Taking help from someone to slightly lift the refrigerator will facilitate this process.



Proceed in numerical order



4 Preparation

- i** Your freezer should be installed at least 30 cm away from heat sources such as hobs, ovens, central heater and stoves and at least 5 cm away from electrical ovens and should not be located under direct sunlight.
- i** The ambient temperature of the room where you install your freezer should at least be 5°C. Operating your freezer under cooler conditions than this is not recommended with regard to its efficiency.
- i** Please make sure that the interior of your freezer is cleaned thoroughly.
- i** If two freezers are to be installed side by side, there should be at least 2 cm distance between them.
- i** When you operate your freezer for the first time, please observe the following instructions during the initial six hours.
 - The door should not be opened frequently.
 - It must be operated empty without any food in it.
 - Do not unplug your freezer. If a power failure occurs out of your control, please see the warnings in the “Recommended solutions for the problems” section.
- i** Original packaging and foam materials should be kept for future transportations or moving.

5 Using your freezer

Temperature setting button

The interior temperature of your freezer changes for the following reasons;

- Seasonal temperatures,
- Frequent opening of the door and leaving the door open for long periods,
- Food put into the freezer without cooling down to the room temperature,
- The location of the freezer in the room (e.g. exposing to sunlight).

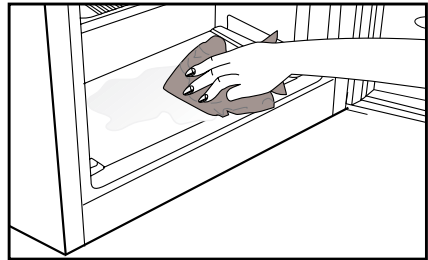
You may adjust the varying interior temperature due to such reasons by using the thermostat. If the ambient temperature is higher than 32°C, turn the thermostat button to maximum position.

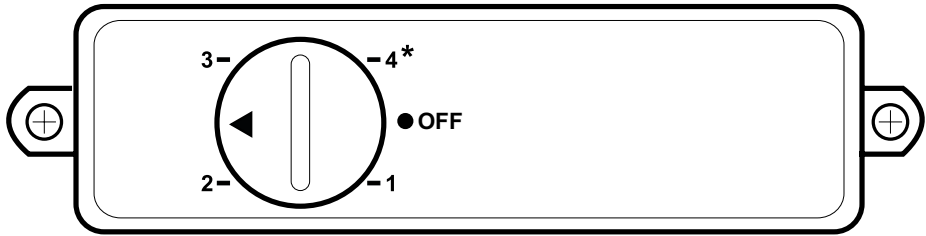
Storing the frozen food

- Frozen food can be stored up to 3 months in general in temperatures under -18°C. Storage periods may vary depending on the type of the food. Storage periods of expiry dates of such food are indicated on the food package by their manufacturers.
- Frozen food that you have purchased should be placed in the freezer before they thaw.
- Frozen food may be kept in the compartments with drawers.

Defrosting of the appliance

- Excessive build-up of ice will affect the freezing performance of your appliance.
 - It is therefore recommended that you defrost your appliance at least twice a year, or whenever the ice build-up exceeds 7 mm.
 - Defrost your appliance when there is only little or no food in it.
 - Take out the deep-frozen food from the drawers. Wrap the deep-frozen food in several layers of paper, or a blanket, and keep it in a cold place.
 - Unplug the appliance or switch off the circuit breaker to start the defrosting process.
 - Take out the accessories (like shelf, drawer etc.) from the appliance and use a suitable container to collect the thawing water.
- Use a sponge or a soft cloth to remove thawing water if necessary.
 - Keep the door open during defrosting.
 - For quicker defrosting, place containers with warm water inside the appliance.
 - Never use electrical devices, defrosting sprays or pointed or sharp-edged objects such as knives or forks to remove the ice.
 - After the defrosting is done, clean the inside (see the section 'Cleaning and care').
 - Reconnect the appliance to the mains. Place the frozen food into the drawers and slide the drawers into the freezer.





Setting the operating temperature

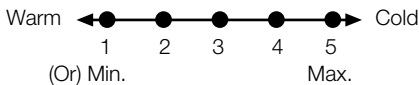
The operating temperature is regulated by the temperature control.

1 = Lowest cooling setting (Warmest setting)

4 = Highest cooling setting (Coldest setting)

(Or)

Min. = Lowest cooling setting (Warmest setting)



Max. = Highest cooling setting (Coldest setting)

Please choose the setting according to the desired temperature.

The interior temperature also depends on ambient temperature, the frequency with which the door is opened and the amount of food kept inside.

Frequently opening the door causes the interior temperature to rise.

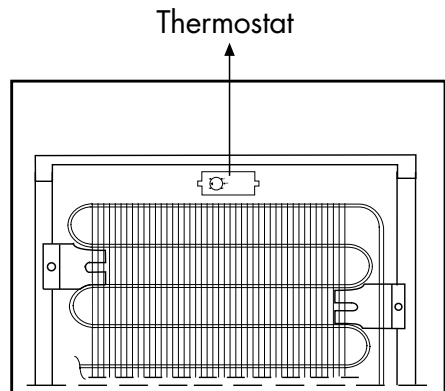
For this reason, it is recommended to close the door again as soon as possible after use.

The normal storage temperature of your appliance should be -18°C (0°F). If the thermostat knob is turned counter clockwise from position 1, the appliance will be switched off and “click” sound will be heard. Lower temperatures can be obtained by adjusting the thermostat knob towards Position 4.

We recommend checking the temperature with a thermometer to ensure that the storage compartments are kept to the desired temperature.

Remember to take the reading immediately since the thermometer temperature will rise very rapidly after you remove it from the freezer.

Thermostat is located on the rear wall of the cabinet (See above diagram) and controlled by the thermostat knob.



6 Maintenance and cleaning

- ⚠ Never use gasoline, benzene or similar substances for cleaning purposes.
- ⚠ We recommend that you unplug the appliance before cleaning.
- ⚠ Never use any sharp abrasive instrument, soap, household cleaner, detergent and wax polish for cleaning.
- ℹ Use lukewarm water to clean the cabinet of your freezer and wipe it dry.
- ℹ Use a damp cloth wrung out in a solution of one teaspoon of bicarbonate of soda to one pint of water to clean the interior and wipe it dry.
- ⚠ Make sure that no water enters the lamp housing and other electrical items.
- ⚠ If your freezer is not going to be used for a long period of time, unplug the power cable, remove all food, clean it and leave the door ajar.
- ℹ Check door seals regularly to ensure they are clean and free from food particles.
- ⚠ To remove door racks, remove all the contents and then simply push the door rack upwards from the base.

Protection of plastic surfaces

- ℹ Do not put the liquid oils or oil-cooked meals in your freezer in unsealed containers as they damage the plastic surfaces of your freezer. In case of spilling or smearing oil on the plastic surfaces, clean and rinse the relevant part of the surface at once with warm water.

7 Recommended solutions for the problems

Please review this list before calling the service. It might save you time and money. This list includes frequent complaints that are not arising from defective workmanship or material usage. Some of the features described here may not exist in your product.

The freezer does not operate.
<ul style="list-style-type: none">• Is the freezer properly plugged in? Insert the plug to the wall socket.• Is the fuse of the socket which your freezer is connected to or the main fuse blown out? Check the fuse.
Condensation on the side wall of the fridge compartment (MULTIZONE, COOL CONTROL and FLEXI ZONE).
<ul style="list-style-type: none">• Very cold ambient conditions. Frequent opening and closing of the door. Highly humid ambient conditions. Storage of food containing liquid in open containers. Leaving the door ajar. Switching the thermostat to a colder degree.• Decreasing the time the door left open or using it less frequently.• Covering the food stored in open containers with a suitable material.• Wipe the condensation using a dry cloth and check if it persists.
Compressor is not running
<ul style="list-style-type: none">• Protective thermic of the compressor will blow out during sudden power failures or plug-out plug-ins as the refrigerant pressure in the cooling system of the freezer has not been balanced yet. Your freezer will start running approximately after 6 minutes. Please call the service if the freezer does not startup at the end of this period.• The fridge is in defrost cycle. This is normal for a full-automatically defrosting freezer. Defrosting cycle occurs periodically.• Your freezer is not plugged into the socket. Make sure that the plug is properly fit into the socket.• Are the temperature adjustments correctly made?• Power might be cut off.

The fridge is running frequently or for a long time.
<ul style="list-style-type: none"> Your new product may be wider than the previous one. This is quite normal. Large freezers operate for a longer period of time. The ambient room temperature may be high. This is quite normal. The freezer might have been plugged in recently or might have been loaded with food. Cooling down of the freezer completely may last for a couple of hours longer. Large amounts of hot food might have been put in the freezer recently. Hot food causes longer running of the freezer until they reach the safe storage temperature. Doors might have been opened frequently or left ajar for a long time. The warm air that has entered into the freezer causes the freezer to run for longer periods. Open the doors less frequently. Freezer or fridge compartment door might have been left ajar. Check if the doors are tightly closed. The freezer is adjusted to a very low temperature. Adjust the freezer temperature to a warmer degree and wait until the temperature is achieved. Door seal of the fridge or freezer may be soiled, worn out, broken or not properly seated. Clean or replace the seal. Damaged/broken seal causes the freezer to run for a longer period of time in order to maintain the current temperature.
Freezer temperature is very low while the fridge temperature is sufficient.
<ul style="list-style-type: none"> The freezer temperature is adjusted to a very low temperature. Adjust the freezer temperature to a warmer degree and check.
Fridge temperature is very low while the freezer temperature is sufficient.
<ul style="list-style-type: none"> The fridge temperature might have been adjusted to a very low temperature. Adjust the fridge temperature to a warmer degree and check.
Food kept in the fridge compartment drawers are freezing.
<ul style="list-style-type: none"> The fridge temperature might have been adjusted to a very low temperature. Adjust the fridge temperature to a warmer degree and check.
Temperature in the fridge or freezer is very high.
<ul style="list-style-type: none"> The fridge temperature might have been adjusted to a very high degree. Fridge adjustment has an effect on the temperature of the freezer. Change the temperature of the fridge or freezer until the fridge or freezer temperature reaches to a sufficient level. Doors might have been opened frequently or left ajar for a long time; open them less frequently. Door might have been left ajar; close the door completely. Large amount of hot food might have been put in the freezer recently. Wait until the fridge or freezer reaches the desired temperature. The freezer might have been plugged in recently. Cooling down of the freezer completely takes time.

The operation noise increases when the freezer is running.
<ul style="list-style-type: none"> The operating performance of the freezer may change due to the changes in the ambient temperature. It is normal and not a fault.
Vibrations or noise.
<ul style="list-style-type: none"> The floor is not even or it is weak. The freezer rocks when moved slowly. Make sure that the floor is strong enough to carry the freezer, and level. The noise may be caused by the items put onto the freezer. Items on top of the freezer should be removed.
There are noises coming from the freezer like liquid spilling or spraying.
<ul style="list-style-type: none"> Liquid and gas flows happen in accordance with the operating principles of your freezer. It is normal and not a fault.
There is a noise like wind blowing.
<ul style="list-style-type: none"> Fans are used in order to cool the freezer. It is normal and not a fault.
Condensation on the inner walls of freezer.
<ul style="list-style-type: none"> Hot and humid weather increases icing and condensation. It is normal and not a fault. Doors might have been left ajar; make sure that the doors are closed fully. Doors might have been opened frequently or left ajar for a long time; open them less frequently.
Humidity occurs on the outside of the freezer or between the doors.
<ul style="list-style-type: none"> There might be humidity in the air; this is quite normal in humid weather. When the humidity is less, condensation will disappear.
Bad odor inside the freezer.
<ul style="list-style-type: none"> Inside of the freezer must be cleaned. Clean the inside of the freezer with a sponge, lukewarm water or carbonated water. Some containers or package materials might cause the smell. Use a different container or different brand packaging material.
The door is not closing.
<ul style="list-style-type: none"> Food packages may prevent the door's closing. Replace the packages that are obstructing the door. The freezer is not completely upright on the floor and rocking when slightly moved. Adjust the elevation screws. The floor is not level or strong. Make sure that the floor is level and capable to carry the freezer.
Crispers are stuck.
<ul style="list-style-type: none"> The food might be touching the ceiling of the drawer. Rearrange food in the drawer.

Producer: «Arcelik A.S.»

Address: Karaağaç Caddesi No:2-6 Sütlüce, 34445, Turkey

Made in Turkey

Importer in Russia: «BEKO LLC»

Address: 601010, Vladimirskaia oblast, Kirjach region, factory «BEKO»

The manufacture date is included in the serial number of a product specified on rating label, which is located on a product, namely: first two figures of serial number indicate the year of manufacture, and last two – the month. For example, "10-100001-05» indicates that the product was produced in May, 2010.

You can ask for certification number from our Call Center 8-800-200-23-56

<http://rembitteh.ru/>

Обязательно прочтите данное руководство <http://rembitteh.ru/>

Уважаемый покупатель!

Надеемся, что наше изделие, изготовленное на современном оборудовании, и прошедшее тщательный контроль качества, будет надежно служить вам.




Поэтому, прежде чем пользоваться прибором, рекомендуем внимательно изучить данное руководство и всегда держать его под рукой в качестве справочника.

Данное руководство

- Поможет вам быстро освоить этот прибор и безопасно им пользоваться.
 - Прежде чем устанавливать прибор и пользоваться им, прочтите это руководство.
 - Соблюдайте инструкции, в особенности, правила техники безопасности.
 - Храните это руководство в легкодоступном месте, так как оно может понадобиться вам в будущем.
 - Ознакомьтесь со всеми остальными документами, которые прилагаются к прибору.
- Учтите, что данное руководство по эксплуатации может применяться и для других моделей.

Условные обозначения

В данном руководстве по эксплуатации используются следующие условные обозначения:

-  Важная информация или полезные советы по эксплуатации.
-  Предупреждение об опасности для жизни и имущества.
-  Предупреждение об опасном электрическом напряжении.

Переработка

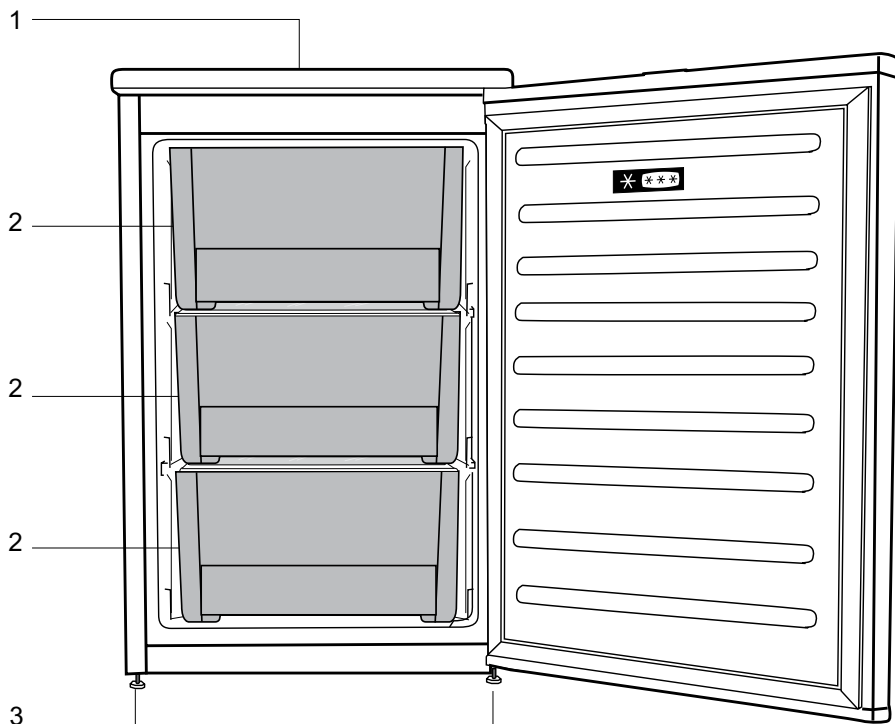


На данное изделие нанесен символ избирательной сортировки для отходов электрического и электронного оборудования (WEEE). Это значит, что с данным изделием следует обращаться в соответствии с Европейской Директивой 2002/96/ЕС с целью его переработки или разборки для уменьшения отрицательного воздействия на окружающую среду. За дополнительной информацией обратитесь в местные или региональные органы власти. Электронная техника, не включенная в процесс избирательной сортировки отходов, представляет потенциальную опасность для окружающей среды и здоровья людей из-за наличия в ней опасных веществ.

Содержание

1 Описание морозильник	3	4 Подготовка	13
2 Важные указания по технике безопасности	4	5 Эксплуатация морозильник	14
Использование по назначению	4	Кнопка регулирования температуры	14
Для изделий с раздатчиком охлажденной воды:	6	Хранение замороженных продуктов	14
Безопасность детей	6	Размораживание изделия	14
Предупреждение органов здравоохранения	7	Установка рабочей температуры.....	16
Рекомендации по экономии электроэнергии.....	7	6 Обслуживание и чистка	17
Технические характеристики морозильника	7	Защита пластмассовых поверхностей	17
3 Установка	9	7 Рекомендации по устранению неполадок	18
Правила транспортировки морозильника	9		
Подготовка к эксплуатации	9		
Утилизация упаковки	10		
Утилизация старого морозильника... ..	10		
Размещение и установка	10		
Регулирование ножек.....	11		
Перевешивание дверей.....	12		

1 Описание морозильник



- 1- Верхняя планка
- 2- Отделение для хранения замороженных или свежих продуктов
 - a.** Большие ящики
 - b.** приданое невесты
 - c.** Стеклопалки под Большим ящиками
- 3- Регулирование ножек

i Данные руководства являются приблизительными и могут не полностью соответствовать приобретенной продукции. Если в ней отсутствуют те или иные указанные в руководстве компоненты, они могут встречаться в других моделях.

2 Важные указания по технике безопасности

Обязательно ознакомьтесь со следующей информацией. Игнорирование данной информации может привести к причинению травм или повреждению имущества. Кроме того, гарантийные обязательства и обязательства по эксплуатационной надёжности утратят силу.

Срок службы приобретенного вами изделия составляет 10 лет. Это срок, в течение которого предоставляются запасные части, необходимые для нормальной работы изделия.

Использование по назначению

Это изделие предназначено для использования

- в помещении и на закрытых пространствах, например, в доме;
 - в закрытых рабочих помещениях, например, в магазинах и офисах;
 - в закрытых жилых помещениях, например, в загородных домах, гостиницах, пансионатах.
- Это изделие предназначено для использования только в помещении.

Общие правила техники безопасности

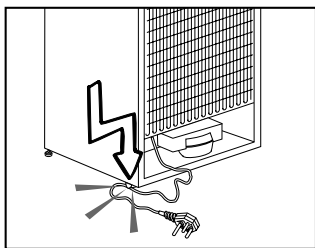
- В случае необходимости утилизировать или уничтожить изделие для получения необходимой информации рекомендуется обратиться в фирменный сервисный центр, а также в местные органы власти.
- По всем вопросам, касающимся морозильника, обращайтесь в фирменный сервисный центр. Не вмешивайтесь в работу изделия и не разрешайте этого другим без уведомления фирменного сервисного

центра.

- Для изделий с морозильным отделением: не ешьте мороженое в рожках и кубики льда сразу после их извлечения из морозильного отделения! (Это может вызвать обморожение полости рта.)
- Для изделий с морозильным отделением: не помещайте напитки в бутылках и банках в морозильное отделение. Они могут лопнуть.
- Не дотрагивайтесь до замороженных продуктов – они могут примерзнуть к рукам.
- Отключайте морозильник от сети перед чисткой или размораживанием.
- Ни в коем случае не используйте для чистки и размораживания морозильника пар или аэрозольные чистящие средства. В этом случае пар может попасть на электрические компоненты, что приведет к короткому замыканию или поражению электрическим током.
- Ни в коем случае не используйте морозильник или его части (например, дверцу) в качестве подставки или опоры.
- Не используйте электрические приборы внутри морозильника.
- Не допускайте повреждения частей, в которых циркулирует хладагент, используя режущие или сверлильные инструменты. Хладагент может вырваться из пробитого испарителя, трубопроводов или покрытий поверхности и вызвать раздражение кожи и поражение глаз.
- Ни в коем случае не закрывайте и не закупоривайте вентиляционные отверстия морозильника.
- Ремонт электрического

оборудования должны производить только квалифицированные специалисты. Ремонт, выполненный некомпетентными лицами, может создать опасность для потребителя.

- В случае неполадок во время эксплуатации, а также при проведении техобслуживания или ремонта отключите морозильник, выключив соответствующий предохранитель или вынув шнур питания из розетки.
- Не тяните за сетевой шнур, вынимая вилку из розетки.
- Крепкие спиртные напитки следует хранить в плотно закрытом виде и вертикальном положении.
- Нельзя хранить в морозильнике банки с горючими и взрывоопасными веществами.
- Для ускорения процесса размораживания не используйте механические устройства или другие средства, кроме тех, которые рекомендованы производителем.
- Данный электроприбор не предназначен для использования лицами (включая детей) с ограниченными физическими, сенсорными и интеллектуальными возможностями либо не имеющими опыта и знаний. Они могут пользоваться электроприбором только под наблюдением лица, ответственного за их безопасность, или под его руководством.
- Ни в коем случае нельзя пользоваться неисправным морозильником. При возникновении вопросом обращайтесь к квалифицированному специалисту.
- Электрическая безопасность гарантируется только в том случае, если система заземления в вашем доме соответствует стандартам.
- Воздействие на устройство дождя, снега, солнца или ветра опасно с точки зрения электробезопасности.
- В случае повреждения шнура питания и т.п. обратитесь в фирменный сервисный центр, чтобы не подвергать себя опасности.
- Ни в коем случае нельзя включать морозильник в розетку во время установки. Это может привести к серьезным травмам или смерти.
- Этот морозильник предназначен только для хранения пищевых продуктов. Его нельзя использовать для каких-либо иных целей.
- Табличка с техническими характеристиками находится слева на внутренней стенке морозильника.
- Ни в коем случае нельзя подключать морозильник к электронным системам экономии электроэнергии, поскольку это может привести к его поломке.
- При наличии в морозильнике синей подсветки не смотрите на нее через оптические устройства.
- При отключении от сети электропитания морозильника с ручным управлением подождите не менее 5 минут, прежде чем подключать его снова.
- В случае продажи изделия эту инструкцию по эксплуатации следует передать новому владельцу.
- При транспортировке морозильника избегайте повреждения шнура питания. Изгибание шнура питания может привести к возгоранию. Не ставьте на него тяжелые предметы. При подключении морозильника к сети электропитания не прикасайтесь к вилке влажными руками.



- Ни в коем случае нельзя подключать морозильник к плохо закрепленной стенной розетке сети электропитания.
- Из соображений безопасности не допускайте попадания воды на внешние или внутренние части морозильника.
- Не распыляйте рядом с морозильником воспламеняющиеся газы, такие как газ пропан, ввиду риска пожара или взрыва.
- Не ставьте сосуды с водой на морозильник, поскольку это может привести к поражению электрическим током или пожару.
- Не загружайте морозильник продуктами сверх меры. Если морозильник перегружен, продукты могут выпасть при открытии дверцы и травмировать вас или повредить морозильник. Не кладите предметы на морозильник, поскольку они могут упасть при открытии или закрытии дверцы.
- В морозильнике нельзя хранить вещества, требующие определенных температурных условий, такие как вакцины, термочувствительные медикаменты, материалы для научных исследований и т.п.
- Морозильник следует отключить от электросети, если он не будет использоваться в течение длительного времени. Неисправность шнура питания может привести к возгоранию.

- Необходимо регулярно очищать концы вилки шнура электропитания; несоблюдение этого условия может привести к пожару.
- Необходимо регулярно очищать контакты вилки шнура питания сухой тканью. Несоблюдение этого правила может привести к пожару.
- Морозильник может смещаться, если регулируемые ножки не зафиксированы на полу. Фиксирование регулируемых ножек на полу предотвратит смещение морозильника.
- При перемещении морозильника не держите его за ручку. В противном случае он может сломаться.
- При установке морозильника расстояние между ним и другим морозильником или морозильником должно составлять минимум 8 см. В противном случае боковые прилегающие стенки будут увлажняться.

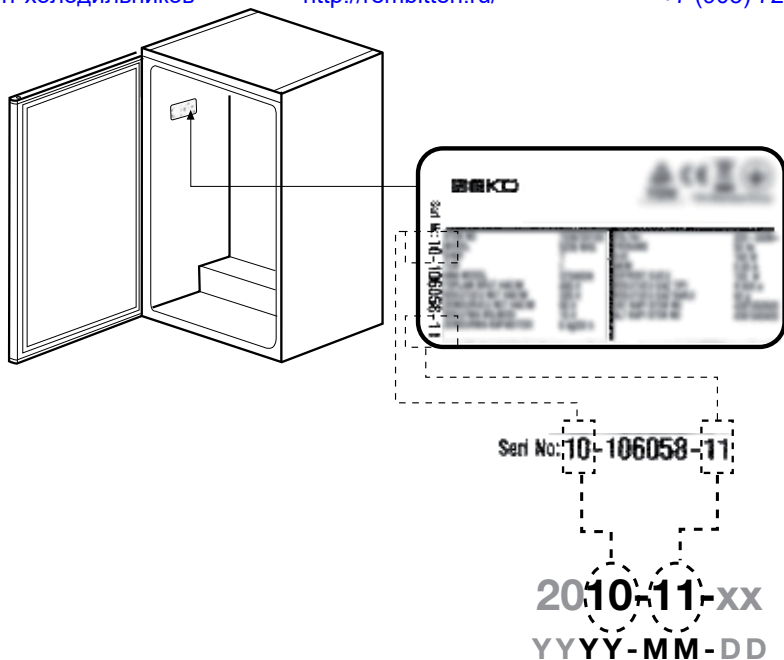
Для изделий с раздатчиком охлажденной воды:

Давление в водопроводной линии не должно быть ниже 1 бара. Давление в водопроводной линии не должно быть выше 8 бар.

- Используйте только питьевую воду.

Безопасность детей

- Если на дверце есть замок, ключ следует хранить в недоступном для детей месте.
- Следует присматривать за детьми и не разрешать им портить морозильник.



Предупреждение органов здравоохранения

Если система охлаждения вашего изделия содержит R600a:

Этот газ огнеопасен, поэтому будьте осторожны, чтобы не повредить систему охлаждения и трубопроводы при эксплуатации и во время транспортировки. В случае повреждения уберите устройство подальше от потенциальных источников огня, которые могут привести к возгоранию, а также проветривайте помещение, в котором находится устройство.

Не обращайте внимания на предупреждение, если система охлаждения вашего изделия содержит R134a.

Тип газа, используемого изделием, указан на паспортной табличке, расположенной слева на внутренней стенке морозильника.

Не сжигайте изделие в целях утилизации.

Рекомендации по экономии электроэнергии

- Не оставляйте дверцу морозильника открытой на длительное время.
- Не кладите в морозильник горячие продукты или напитки.

Технические характеристики морозильника

Класс энергопотребления	A+
Класс защиты	1

- Не перегружайте морозильник, чтобы не нарушать циркуляцию воздуха.
- Не устанавливайте морозильник в местах, где на него попадают прямые солнечные лучи, или поблизости от источников тепла, таких как плита, посудомоечная машина или радиатор отопления.
- Следите за тем, чтобы контейнеры с продуктами были закрыты.
- Для изделий с морозильным отделением: в морозильное отделение морозильника можно заложить максимальное количество продуктов, если достать из него полку или ящик. Указанное в технических характеристиках энергопотребление морозильника определено при условии, что полка или ящик морозильного отделения извлечены, и в него загружено максимально возможное количество продуктов. Полку и ящик можно использовать для замораживания продуктов в соответствии с их формой и размером.
- Таяние замороженных продуктов в холодильном отделении обеспечит экономию электроэнергии и сохранение качества продуктов.

3 Установка

⚠ Помните, что производитель не несет ответственности в случае несоблюдения указаний, приведенных в настоящем руководстве.

Правила транспортировки морозильника

1. Перед транспортировкой следует вынуть из морозильника все продукты и вымыть его.
2. Перед упаковкой следует надежно закрепить все полки, оборудование, контейнеры для овощей и фруктов и т.п. при помощи клейкой ленты, чтобы предохранить их от тряски.
3. Морозильник следует обвязать лентами из плотного материала и прочными веревками. При транспортировке следует придерживаться правил, напечатанных на упаковке.

Не забывайте о том, что...

Вторичное использование материалов очень важно для сохранения природы и наших национальных богатств.

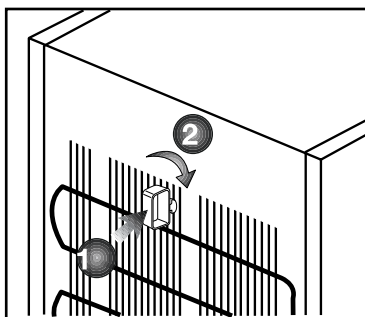
Если вы решите сдать упаковочные материалы на переработку, обратитесь за подробной информацией в организации по охране окружающей среды или в местные органы власти.

Подготовка к эксплуатации

Перед началом эксплуатации морозильника выполните следующие действия.

1. Убедитесь, что внутри морозильника сухо, и воздух может свободно циркулировать позади морозильника.
2. Можно установить два пластиковых упора, как показано на рисунке. Пластиковые упоры обеспечат

необходимое расстояние между морозильником и стеной для надлежащей циркуляции воздуха. (Изображение на рисунке предназначено только для иллюстрации и не совпадает полностью с вашим изделием.)



3. Выполните чистку морозильника в соответствии с рекомендациями, приведенными в разделе "Обслуживание и чистка".
4. Подключите морозильник к электрической сети. При открытии двери морозильника включается лампочка внутреннего освещения.
5. При запуске компрессора будет слышен шум. Жидкость и газы, находящиеся внутри герметичной системы охлаждения, также могут создавать шум, независимо от того, работает компрессор или нет, что является вполне нормальным явлением.
6. Передние кромки морозильника могут казаться теплыми на ощупь. Это нормально. Эти области подогреваются, чтобы предупредить конденсацию.

Подключение к электросети

Подсоедините морозильник

к заземленной розетке с предохранителем соответствующего номинала.

Важное замечание

- Подключение следует выполнять в соответствии с местными нормами и правилами.
- Место подключения шнура питания к розетке должно быть легкодоступным.
- Напряжение в сети должно соответствовать данным, указанным в характеристиках морозильника.
- Запрещается использовать при установке удлинители и многоместные розетки.

⚠ Поврежденный шнур питания должен быть заменен квалифицированным электриком.

⚠ Запрещается пользоваться изделием, пока оно не будет отремонтировано! Это может привести к поражению электрическим током.

Утилизация упаковки

Упаковочные материалы могут быть опасны для детей. Храните упаковочные материалы в недоступном для детей месте или выбросьте их, рассортировав в соответствии с правилами утилизации отходов. Не выбрасывайте их вместе с обычными бытовыми отходами.

Упаковка морозильника изготовлена из материалов, подлежащих вторичной переработке.

Утилизация старого морозильника

Утилизация старого прибора должна выполняться экологически безопасным способом.

- Сведения об утилизации прибора можно получить у официального дилера или в пункте сбора отходов по месту жительства.

Перед утилизацией морозильника следует отрезать шнур питания и сломать замки на дверцах (при наличии), чтобы предотвратить опасные ситуации для детей.

Размещение и установка

⚠ Если дверь помещения, в котором будет установлен морозильник, недостаточно широка, можно снять дверцы морозильника и внести его в дверь боком. Для того чтобы снять дверцы, обратитесь в фирменный сервисный центр.

1. Устанавливайте морозильник в удобном для использования месте.

2. Морозильник следует устанавливать в местах, защищенных от прямых солнечных лучей, вдали от источников тепла и повышенной влажности.

3. Для более эффективной работы необходимо обеспечить хорошую вентиляцию вокруг морозильника.

Если морозильник устанавливается в нише, минимальное расстояние до потолка и стен должно быть не менее 5 см.

При установке на ковровое покрытие следует приподнять морозильник на 2,5 см от пола.

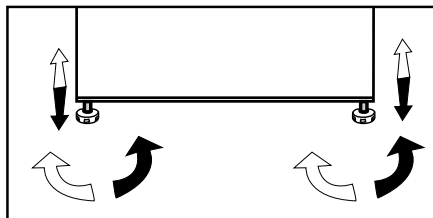
4. Морозильник следует устанавливать на ровную поверхность, иначе может возникать вибрация.

5. Температура помещения, в котором находится морозильник, должна быть не ниже 10°C.

Регулирование ножек

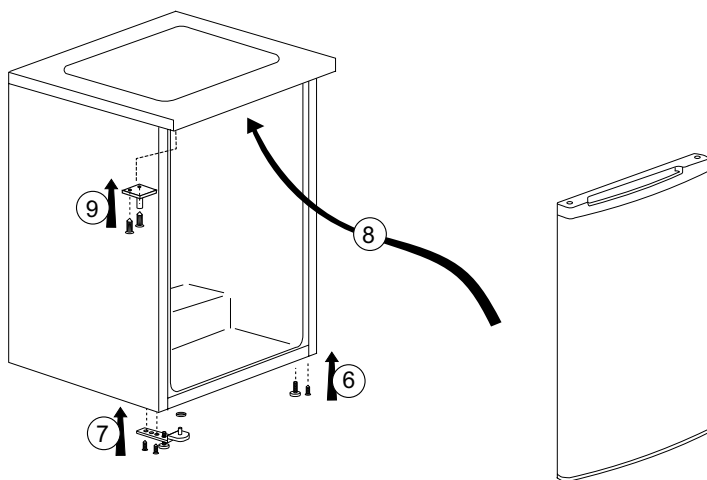
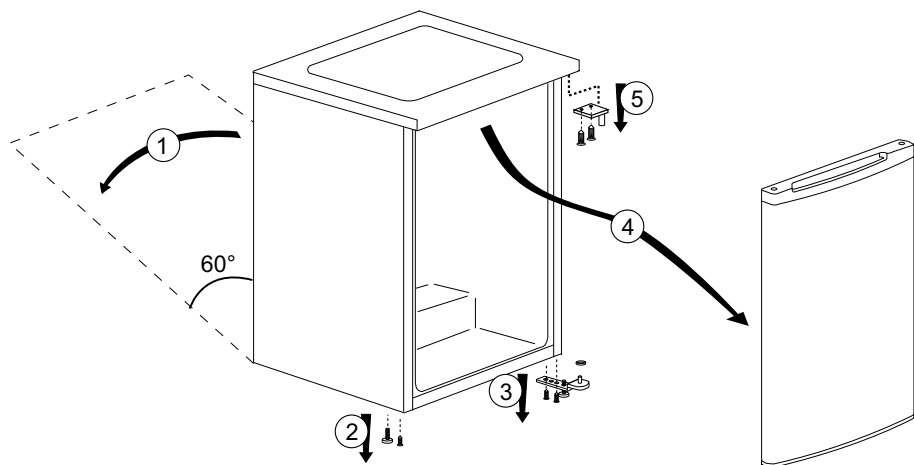
Если морозильник стоит неустойчиво:

Чтобы морозильник стоял устойчиво, можно отрегулировать его положение, поворачивая передние ножки, как показано на рисунке. Если повернуть ножку в направлении черной стрелки, то угол морозильника, под которым она находится, опустится, а если повернуть ее в противоположном направлении – поднимется. Чтобы облегчить процедуру регулирования, можно слегка приподнять морозильник (это следует делать вдвоем).



Перевешивание дверей

Выполните описанные действия в указанной последовательности.



4 Подготовка

- i** Ваш морозильник следует установить, по крайней мере, в 30 см от источников тепла, таких как газовые конфорки, плиты, батареи центрального отопления и печи, и, по крайней мере, в 5 см от электрических плит, в месте, куда не попадает прямой солнечный свет.
- i** Температура воздуха в помещении, где устанавливается морозильник, должна быть не менее 10°C. Использовать морозильник при более низкой температуре не рекомендуется в связи с его низкой эффективностью в таких условиях.
- i** Содержите внутреннее пространство морозильника в чистоте.
- i** Если два морозильника устанавливаются рядом, то между ними должно быть расстояние не менее 2 см.
- i** При первом включении морозильника просим соблюдать следующие инструкции во время первых шести часов работы.

 - Не открывайте дверцу слишком часто.
 - Не загружайте в морозильник продукты.
 - Не отключайте морозильник от электрической сети. Если произошло отключение электроэнергии не по вашей вине, см. указания в разделе «Рекомендации по устранению неполадок».
- i** Оригинальную упаковку и пленку следует сохранить для последующей транспортировки или перевозки изделия.

5 Эксплуатация морозильник

Кнопка регулирования температуры

Температура внутри морозильника изменяется по следующим причинам:

- сезонные изменения температуры;
- частое открывание дверцы и дверца, оставленная открытой на долгое время;
- помещение продуктов в морозильник без предварительного охлаждения до комнатной температуры;
- расположение морозильника в помещении (например, в местах, освещенных солнечным светом).

При изменении внутренней температуры по таким причинам можно отрегулировать ее с помощью термостата. Если температура окружающей среды превышает 32°C, установите регулятор термостата в положение максимального охлаждения.

Хранение замороженных продуктов

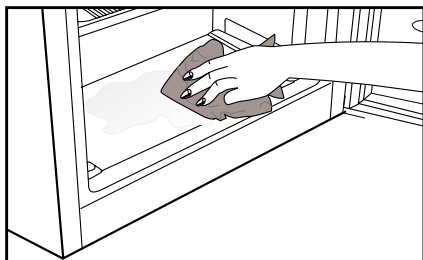
- Замороженные продукты могут храниться до 3 месяцев, как правило, при температурах ниже -18°C. Сроки хранения зависят от типа продуктов. Сроки хранения и сроки годности таких продуктов указаны производителями на упаковке продуктов.
- Купленные мороженые продукты следует поместить в морозильное отделение, не допуская их оттаивания.
- Замороженные продукты можно хранить в отделениях с выдвигаемыми контейнерами.

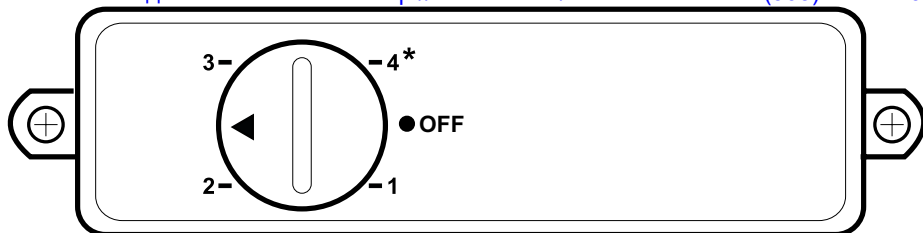
Размораживание изделия

- Чрезмерное образование льда сказывается на замораживающей способности прибора.
- Поэтому рекомендуется размораживать изделие не менее двух раз в год или каждый раз, когда толщина образовавшегося льда превышает 7 мм.
- Размораживайте прибор, когда в нем мало или совсем нет продуктов.
- Выньте из ящиков продукты глубокой заморозки. Оберните продукты глубокой заморозки несколькими слоями бумаги или одеялом и положите в прохладное место.
- Отключайте изделие от сети перед разморозкой.
- Извлеките принадлежности (полки, ящики и т.д.) из изделия и воспользуйтесь подходящим по размеру сосудом для сбора талой воды.

Ремонт холодильников <http://rembitteh.ru/>

- При необходимости собирайте талую воду губкой или влажной тканью.
- Во время размораживания держите дверцу открытой.
- Для ускорения размораживания поставьте внутрь изделия емкости с теплой водой.
- Не используйте для удаления льда электроприборы, размораживающие аэрозоли, а также такие острые или заточенные предметы, как ножи или вилки.
- По окончании размораживания очистите внутренние поверхности (см. раздел «Чистка и уход».)
- Включите изделие в сеть. Поместите замороженные продукты обратно по ящичкам и задвиньте их в морозильник.





Установка рабочей температуры

Рабочая температура регулируется соответствующим регулятором.

1 = Наименьшее значение охлаждения (самая высокая температура)

4 = Самое высокое значение охлаждения (самая низкая температура) (или)

Min. = Наименьшее охлаждение (самая высокая температура)

Max. = Наибольшее охлаждение (самая низкая температура)

Установите значение, соответствующее нужной температуре.

Температура внутри изделия также зависит от температуры окружающей среды, частоты открывания дверцы и количества хранимых продуктов.

Если дверца открывается часто, то температура внутри повышается.

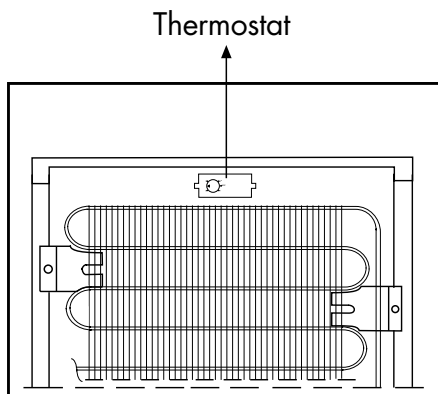
По этой причине рекомендуется как можно скорее закрывать дверцу.

Нормальная температура хранения продуктов в морозильнике должна составлять -18°C . Если ручку регулятора повернуть против часовой стрелки от положения 1, морозильник выключится и будет слышен щелчок. Для установки более низкой температуры ручку термостата необходимо поворачивать в направлении положения 4.

Мы советуем проверять температуру при помощи термометра, чтобы убедиться, что в отделениях для хранения продуктов она соответствует желаемому значению.

Снимать показания термометра необходимо очень быстро, так как его температура после извлечения из морозильной камеры будет стремительно повышаться.

Термостат расположен на задней стенке изделия (см. рисунок выше). Управление им осуществляется с помощью ручки термостата.



6 Обслуживание и чистка

- ⚠ Ни в коем случае не используйте для чистки бензин, бензол или подобные вещества.
- ⚠ Перед чисткой рекомендуется отсоединить прибор от электросети.
- ⚠ Ни в коем случае не используйте для чистки острые или абразивные инструменты, мыло, бытовые чистящие средства, стиральные порошки и восковую политуру.
- ℹ Корпус изделия промойте теплой водой и затем вытрите насухо.
- ℹ Протрите внутреннюю поверхность морозильника хорошо отжатой тканью, смоченной в растворе питьевой соды (1 чайная ложка на пол-литра воды), и вытрите насухо.
- ⚠ Не допускайте попадания воды в отсек с лампочкой, а также на другие электрические компоненты.
- ⚠ Если морозильник не будет использоваться длительное время, отключите шнур питания от электрической сети, выньте все продукты, выполните чистку и оставьте дверцу приоткрытой.
- ℹ Регулярно проверяйте, не испачкан ли уплотнитель дверцы частицами пищи.
- ℹ Для снятия полок в дверце полностью разгрузите их, а затем просто приподнимите вверх.

Защита пластмассовых поверхностей

- ℹ Не храните жидкое растительное масло или продукты, приготовленные на растительном масле, в морозильной камере в открытых контейнерах, так как растительное масло может повредить пластмассовые поверхности. Если же масло протекло или попало на пластмассовую поверхность, сразу же очистите и промойте это место теплой водой.

7 Рекомендации по устранению неполадок

Прежде чем обращаться в сервисный центр, просмотрите этот раздел. Это позволит сэкономить время и деньги. Ниже перечислены часто возникающие проблемы, причиной которых не являются дефекты производства или материалов. Некоторые из описанных здесь функций могут отсутствовать в вашей модели морозильника.

Морозильник не работает.

- Возможно, морозильник не подключен к электрической сети. Вставьте вилку в розетку электрической сети.
- Возможно, перегорел предохранитель розетки, в которую включен морозильник, или главный предохранитель. Проверьте предохранитель.

Конденсация на боковой стенке холодильного отделения (MULTI ZONE, COOL CONTROL и FLEXI ZONE).

- Очень низкая температура в помещении. Частое открывание и закрывание дверцы. Очень высокая влажность в помещении. Хранение продуктов, содержащих жидкость, в открытой посуде. Дверца неплотно закрыта. Переключите термостат на более низкую температуру.
- Сократите периоды, когда дверца остается открытой, или открывайте ее реже.
- Накройте подходящим материалом продукты в открытой посуде.
- Вытрите конденсат сухой тканью и проверьте, не образуется ли он снова.

Не работает компрессор

- Термозащита компрессора может сработать при неожиданных отключениях энергоснабжения либо при выключении-включении прибора, поскольку давление хладагента в системе охлаждения не успевает стабилизироваться. Морозильник начнет работать примерно через 6 минут. Если по истечении этого времени морозильник не заработал, обратитесь в сервисный центр.
- Морозильник находится в режиме размораживания. Это нормально для морозильника с автоматическим размораживанием. Размораживание выполняется регулярно.
- Морозильник не включен в розетку электрической сети. Убедитесь, что вилка должным образом включена в розетку.
- Возможно, неправильно отрегулирована температура.
- Возможно, отключена подача электроэнергии.

Морозильник включается слишком часто или работает слишком долго.

- Ваш новый морозильник может быть больше, чем предыдущий. Это вполне нормально. большие морозильники работают в течение более длительных периодов времени.
- Возможно, температура в помещении повышена. Это вполне нормально.
- Возможно, морозильник был недавно включен или только что загружен продуктами. Полное охлаждение морозильника может продолжаться на несколько часов дольше.
- Возможно, в морозильник недавно поместили большое количество горячих продуктов. Из-за наличия горячих продуктов морозильник будет работать дольше, чтобы достичь нужной температура хранения.
- Возможно, дверцы часто открываются либо остаются приоткрытыми в течение длительного времени. При попадании в морозильник теплого воздуха, он будет работать дольше. Открывайте дверцы реже.
- Неплотно закрыта дверца морозильного или холодильного отделения. Проверьте, плотно ли закрыты дверцы.
- Морозильник отрегулирован на очень низкую температуру. Установите в морозильнике более высокую температуру и подождите, пока установленная температура не будет достигнута.
- Возможно, уплотнитель дверцы холодильного или морозильного отделения загрязнен, изношен, разорван или неправильно установлен. Почистите или замените уплотнитель. Из-за поврежденного или разорванного уплотнителя морозильник будет работать дольше, чтобы поддерживать заданную температуру.

Температура в морозильном отделении слишком низкая, а температура в холодильном отделении достаточная.

- Задан очень низкий уровень температуры в морозильном отделении. Установите в морозильном отделении более высокую температуру и проверьте результат.

Температура холодильного отделения очень низкая, а температура в морозильном отделении достаточная.

- Возможно, температура холодильного отделения отрегулирована на очень низкое значение. Установите в холодильном отделении более высокую температуру и проверьте результат.

Продукты в выдвижных контейнерах холодильного отделения замерзают.
<ul style="list-style-type: none"> • Возможно, температура холодильного отделения отрегулирована на очень низкое значение. Установите в холодильном отделении более высокую температуру и проверьте результат.
Температура в холодильном и морозильном отделении слишком высокая.
<ul style="list-style-type: none"> • Возможно, температура холодильного отделения отрегулирована на очень высокое значение. Температура в холодильном отделении влияет на температуру в морозильном отделении. Изменяйте температуру в холодильном или морозильном отделении, пока не будет достигнут нужный уровень температуры. • Возможно, дверцы часто открываются либо были приоткрыты в течение длительного времени. Открывайте их реже. • Возможно, дверца морозильника приоткрыта; закройте ее полностью. • Возможно, в морозильник недавно поместили большое количество горячих продуктов. Подождите, пока в холодильном или морозильном отделении будет достигнута нужная температура. • Возможно, морозильник был недавно включен в сеть. На полное охлаждение морозильника потребуется некоторое время.
В процессе работы морозильника уровень шума повышается.
<ul style="list-style-type: none"> • Рабочие характеристики изделия могут изменяться в зависимости от изменений температуры окружающей среды. Это нормально и не является неисправностью.
Вибрация или шум.
<ul style="list-style-type: none"> • Пол неровный или нежесткий. Морозильник медленно перемещается и при этом дрожит. Убедитесь в том, что пол ровный и достаточно прочный, чтобы выдержать вес морозильника. • Источником шума могут быть предметы, лежащие наверху морозильника. Посторонние предметы следует убрать с морозильника.
Из морозильника доносится шум льющейся или разбрызгивающейся жидкости.
<ul style="list-style-type: none"> • Расход жидкости и газа изменяется в соответствии с принципами работы морозильника. Это нормально и не является неисправностью.
Слышен шум, похожий на шум ветра.
<ul style="list-style-type: none"> • Для охлаждения морозильника используются вентиляторы. Это нормально и не является неисправностью.

Конденсация влаги на внутренних стенках морозильника.
<ul style="list-style-type: none">• Жаркая и влажная погода способствует образованию льда и конденсации влаги. Это нормально и не является неисправностью.• Возможно, дверцы морозильника приоткрыты. Убедитесь, что они полностью закрыты.• Возможно, дверцы часто открываются либо были приоткрыты в течение длительного времени. Открывайте их реже.
Появление влаги снаружи морозильника или между дверцами.
<ul style="list-style-type: none">• Возможно, в воздух много влаги. Это вполне нормально при влажной погоде. Когда влажность уменьшится, конденсация исчезнет.
Неприятный запах внутри морозильника.
<ul style="list-style-type: none">• Следует очистить морозильник внутри. Протрите морозильник внутри губкой, смоченной в теплой воде или в газированной воде.• Некоторые контейнеры или упаковочные материалы также могут быть источником запаха. Используйте другой контейнер или упаковочный материал другой марки.
Дверца не закрывается.
<ul style="list-style-type: none">• Упаковки продуктов могут препятствовать закрыванию дверцы. Переместите упакованные продукты, препятствующие закрытию дверцы.• Морозильник стоит не совсем вертикально, это может вызвать дрожание даже при незначительном перемещении. Отрегулируйте винты регулировки высоты.• Пол неровный или нежесткий. Пол должен быть ровным и выдерживать вес морозильника.
Контейнеры для фруктов и овощей прилипли.
<ul style="list-style-type: none">• Возможно, продукты касаются верхней части контейнера. Переместите продукты в контейнере.

Изготовитель: «Arcelik A.S.» Юридический адрес: Караач Джаддеси № 2-6 34445
Сютлюдже Стамбул, Турция (Karaağaç Caddesi No:2-6 Sütlice, 34445, Turkey)

Произведено в Турции

Импортер на территории РФ: ООО «БЕКО» Юридический адрес: 601010, Владимирская
область, Киржачский район, завод «БЕКО»

Информацию о сертификации продукта Вы можете уточнить, позвонив на горячую линию
8-800-200-23-56.

Дата производства включена в серийный номер продукта, указанный на этикетке,
расположенной на продукте, а именно: первые две цифры серийного номера
обозначают год производства, а последние две – месяц. Например, "10-100001-05"
обозначает, что продукт произведен в мае 2010 года.

